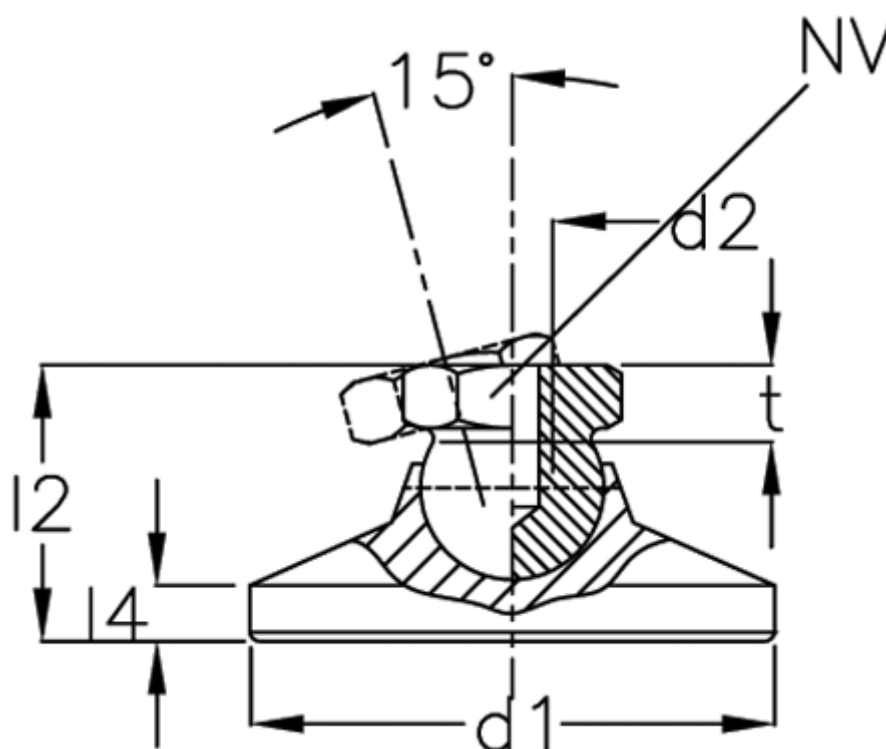


Data Sheet



Article number: 20343132M10OS
Description: E+G levelling foot
GN 343.1-32-M10-OS

Measures



d1	= 32
d2	= 10
l2	= 23
l4	= 5
NV	= 15
Static load (kN)	= 23
t min	= 10.5